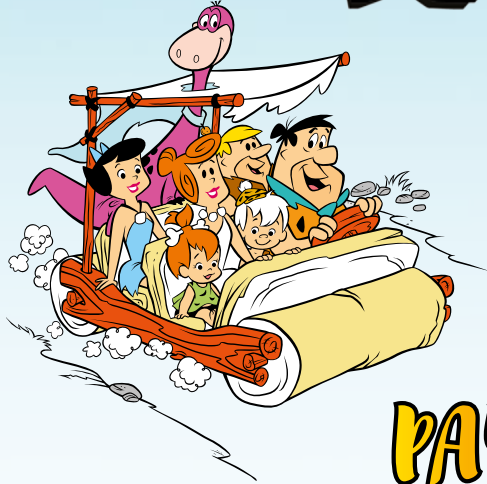


# FLINTSTONES QUARRY QUEST



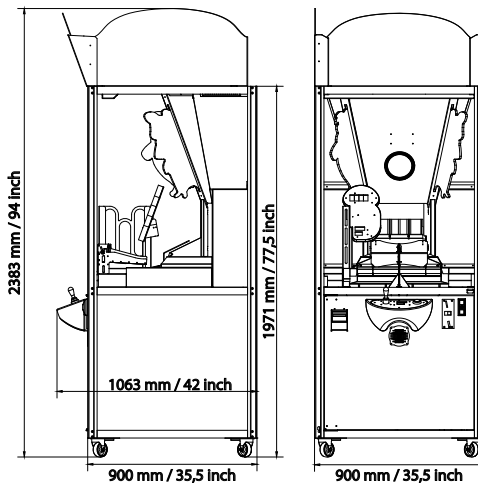
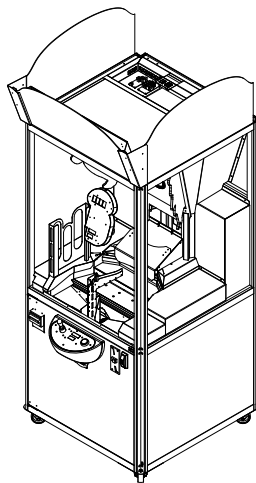
**PAYS OUT  
TICKETS  
ONLY**

**UDC**  
[www.udc.co.uk](http://www.udc.co.uk)

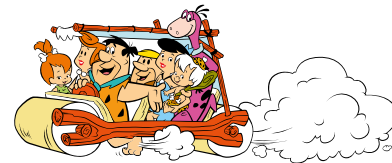


**ELAUT®**

## 1 player



Weight = 220 kg / 485 lbs



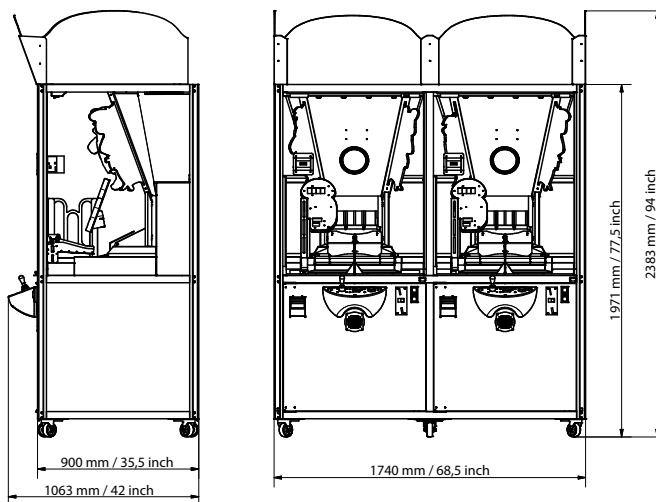
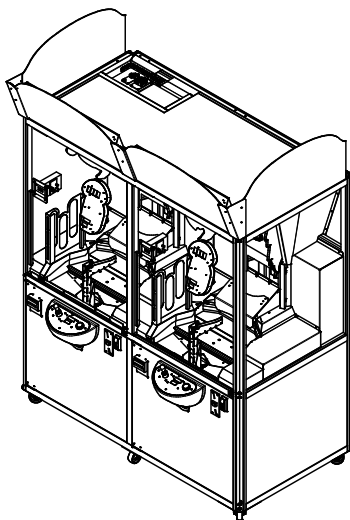
Elaut  
EMOS<sup>®</sup>  
Tablet  
Management  
System

Unique  
Player  
Controlled  
Features

Bill acceptor  
and Card system  
ready

Fully  
Adjustable  
LED Lighting

## 2 player

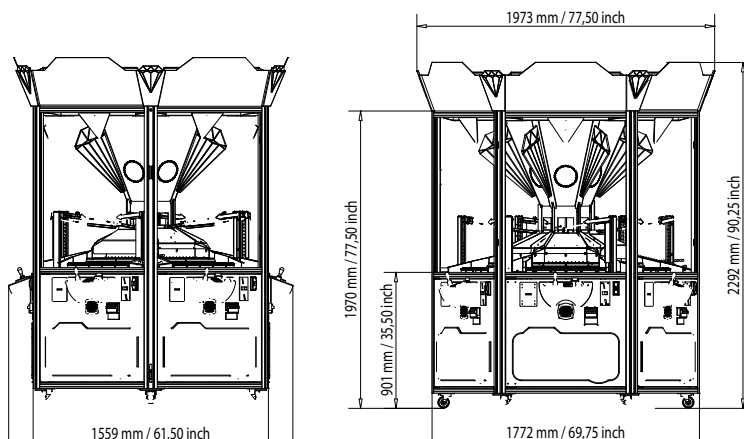
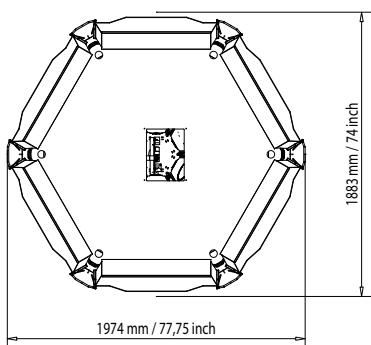


Weight = 380 kg / 838 lbs

Tickets only  
No cards or  
chips in game  
play

Skill Ticket  
Redemption  
Game

## 6 player



Weight = 650 kg / 1433 lbs

Distributed By:

**The United Distributing Company (Coin Machine Sales) Ltd**  
UDC House, 181 Park Avenue, London, NW10 7XH, UK

Web: [www.udc.co.uk](http://www.udc.co.uk) Email: [sales@udc.co.uk](mailto:sales@udc.co.uk)  
Tel: +44 (0)20 8965 7071

ELAUT reserves the right to alter specifications without prior notice. Certain features of the depicted products are protected by patent and/or design rights in several countries. The named trademarks are owned by ELAUT NV, and registered in one or more countries. The IP rights concerned can be consulted on [www.elaut.com/ip](http://www.elaut.com/ip)

